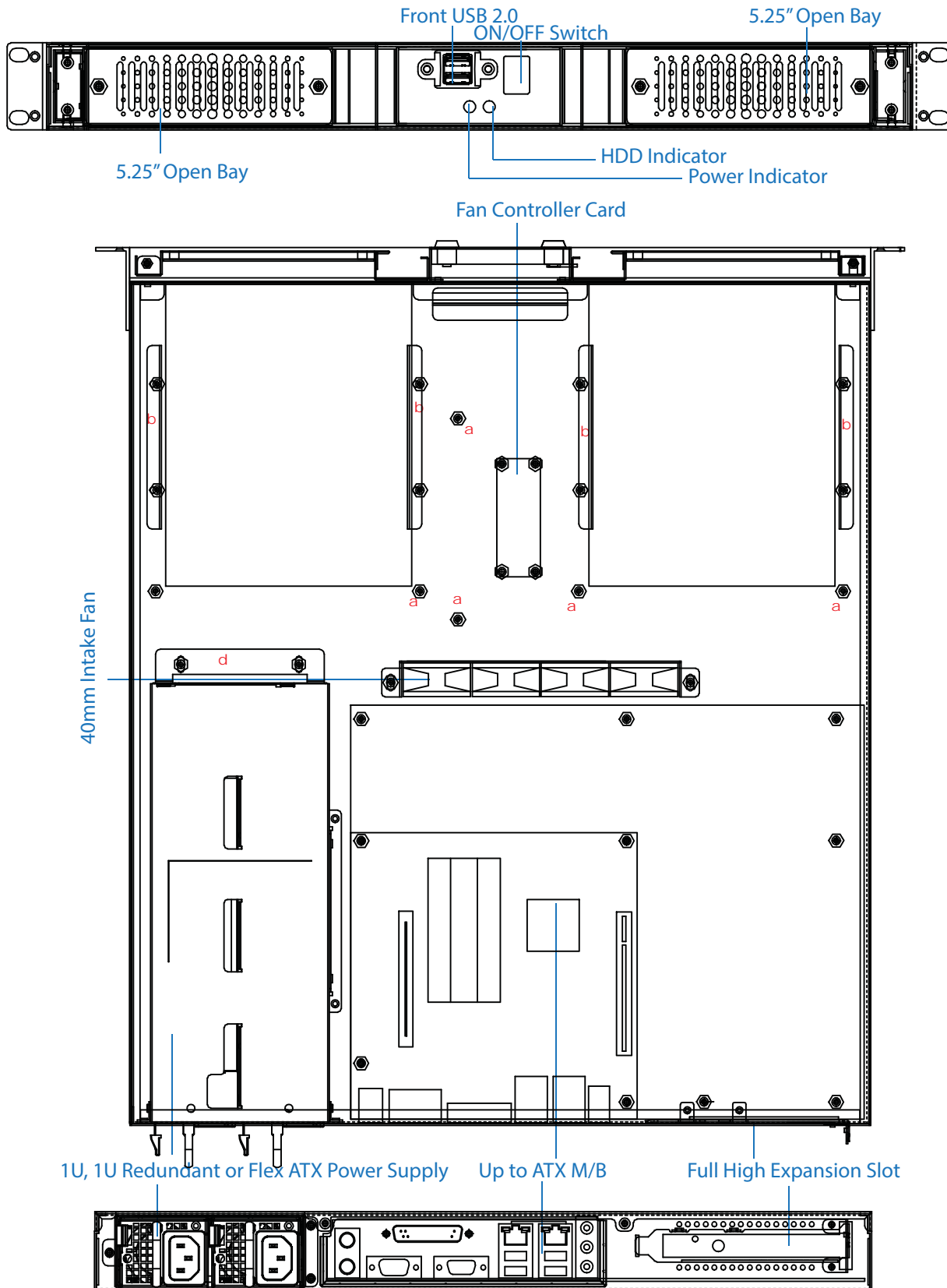


RM-DD1U12A

Quick Guide



a. stand offs for cable tie.
(Cable ties are included in the screw package)



1. Run the wires through the cable tie.



2. Secure the cable tie onto stand off with screw.

b. Mounting bracket for 5.25" bay enclosure/ device. (See figure 2.1)

c. Mounting bracket for 3.5" HDD. (See figure 2.2)

d. Mounting bracket for 1U power supply. (See figure 2.3)

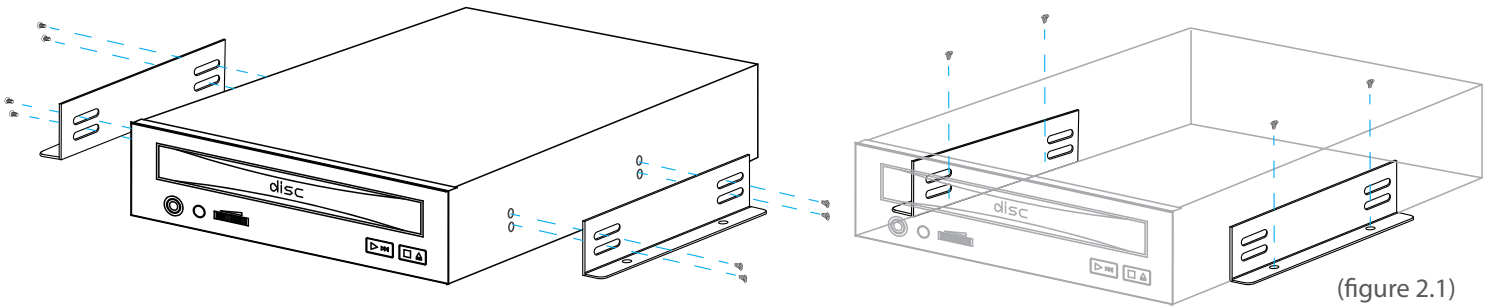
* All figures are located on the back of this page

RM-DD1U12A

5.25" Device & 3.5" HDD Installation

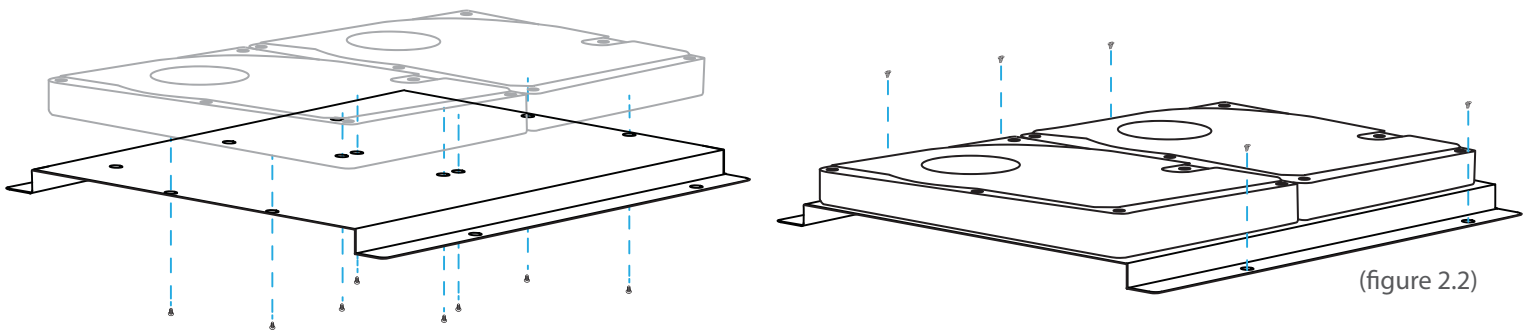
5.25"

1. Remove the brackets from the RM-DD1U12A chassis
2. Install the brackets onto the 5.25" device
3. Locate and secure the bracket back into the chassis with screws.

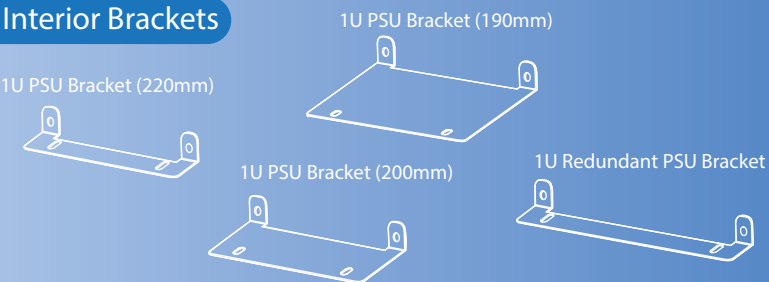


3.5"

1. Remove the brackets from the RM-DD1U12A chassis
2. Mount the 3.5" HDD onto the bracket
3. Locate and secure the bracket into the chassis with screws.



Interior Brackets



Rear Panel Brackets

