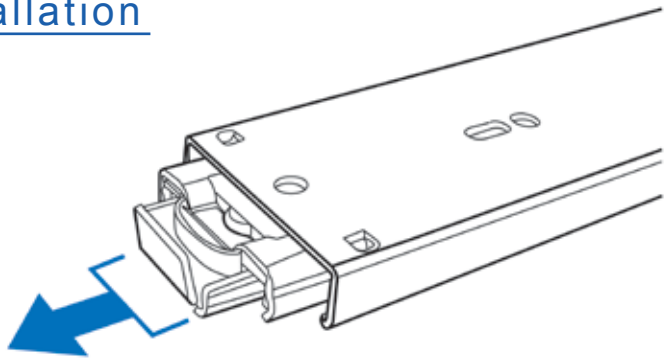
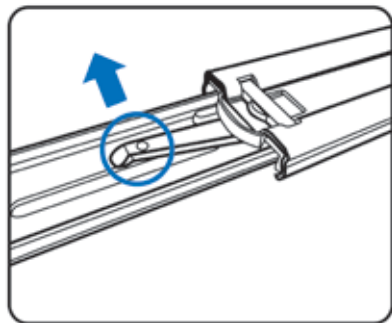
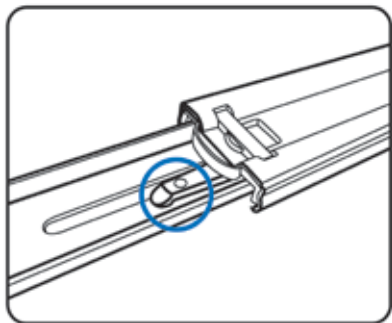


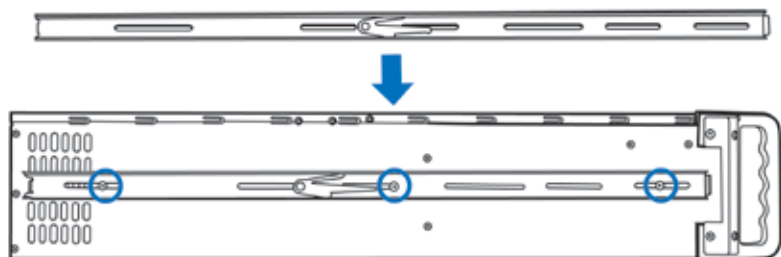
Installation



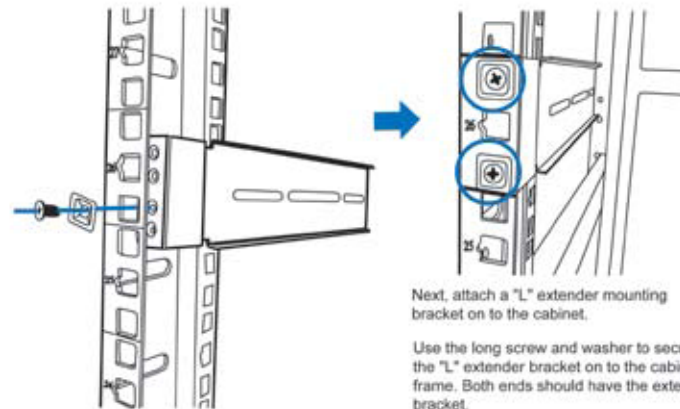
(Pull the center slide all the way out until it reaches the end)



You will see a locking clip at the end point of the center slide. Push it down and unlock the center slide.

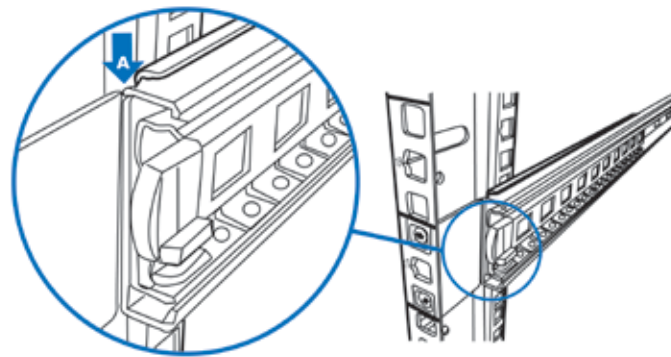


Now put the center slide right next to the rackmount chassis. You should be able to find screw holes on both sides of chassis. Holes are used for mounting the center slide. Later, the center slide will be used for attaching the sliding rail.

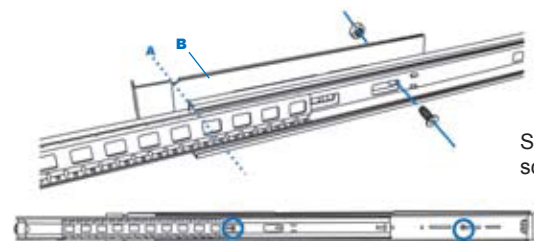


Next, attach a "L" extender mounting bracket on to the cabinet.

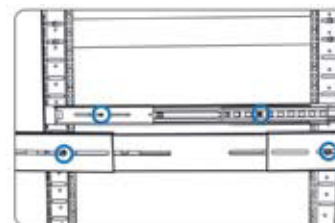
Use the long screw and washer to secure the "L" extender bracket on to the cabinet frame. Both ends should have the extender bracket.



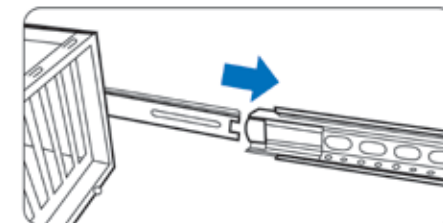
Align front outer rail to the indent of L bracket between Point A & B.



Secure outer rail to L bracket with screws and nuts.



Repeat previous steps to secure sliding rails on both sides.



Reattach inner rail back to center rail